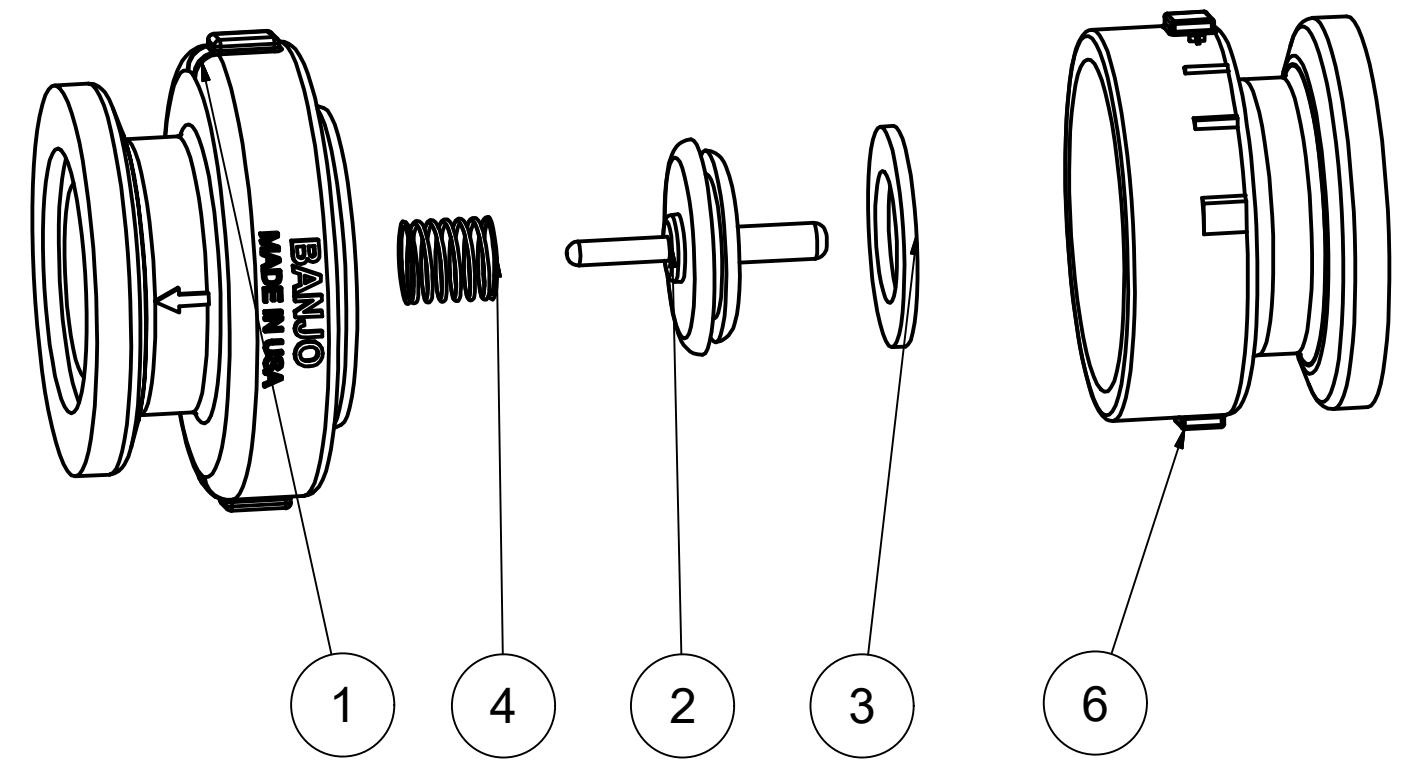


Parts List			
ITEM	QTY	PART NUMBER	DESCRIPTION
1	1	MCV10256	MALE CHECKVALVE HALF
2	1	CV10155	1" CHECKVALVE STOP
3	1	CV10175	1" CHECKVALVE GASKET
4	1	CV101	1 PSI SPRING
5	1	CV1001	1 PSI DECAL (N/S)
6	1	MCV10254	1" MNFLD FEMALE CV BODY HALF



THIS DRAWING AND ALL INFORMATION CONTAINED THEREON ARE THE EXCLUSIVE PROPERTY OF BANJO CORPORATION.

UNLESS SPECIFICALLY NOTED, THIS DRAWING AND ITEMS SHOWN ON THIS DRAWING ARE SUBJECT TO CHANGE AT ANY TIME.



BANJO CORPORATION

150 BANJO DRIVE, CRAWFORDSVILLE, IN 47933
 WEB SITE: WWW.BANJOCORP.COM
 E-MAIL: SALES1@BANJOCORP.COM

DESCRIPTION	1" MANIFOLD CHECKVALVE
PART NUMBER	MCV100

B

B

A

A

A

A